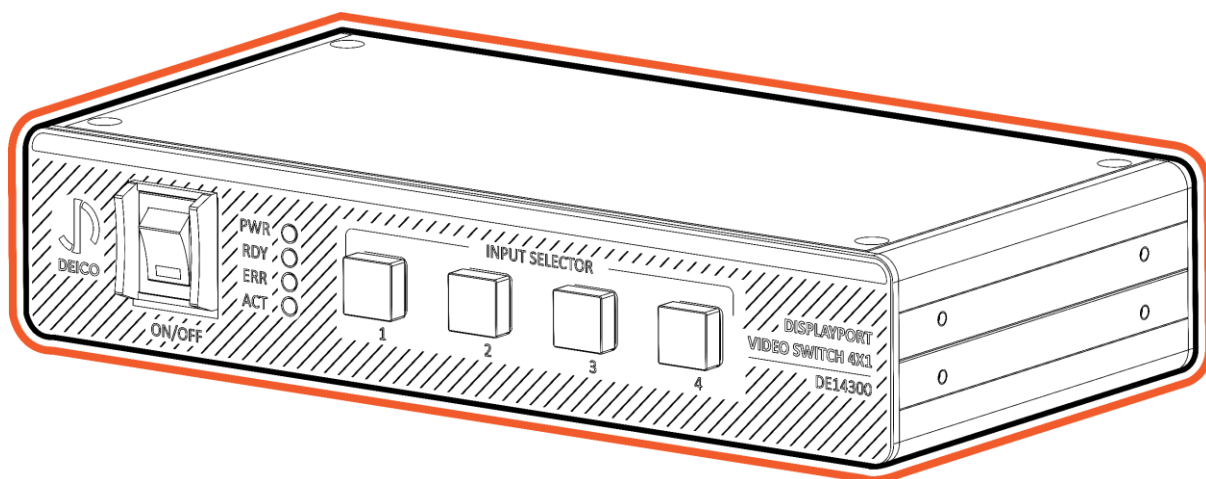


DE14300 DATASHEET

DISPLAYPORT VIDEO SWITCH 4X1



Contents

DESCRIPTION.....	1
Key Features.....	1
HARDWARE OVERVIEW	1
Circuitry.....	1
Hardware Specifications	2
Electrical.....	2
Physical.....	2
Environmental.....	2
Front Side	2
Rear Side	3
SIGNAL CONNECTIONS.....	3
Power Connector	3
RS232 & I/O Connector.....	3
NOTES.....	4

DESCRIPTION

DE14300 – DisplayPort Video Switch 4x1 product switches 4 DisplayPort inputs to 1 DisplayPort output. DE14300 provides user buttons for switching. It also provides Ethernet, USB, RS232 and discrete interfaces for programming switch configurations.

Key Features

- ⇒ DisplayPort 1.3/1.4
- ⇒ 100Mbps ethernet interface
- ⇒ USB2.0 interface
- ⇒ RS232 interface
- ⇒ Discrete I/O control
- ⇒ User button control

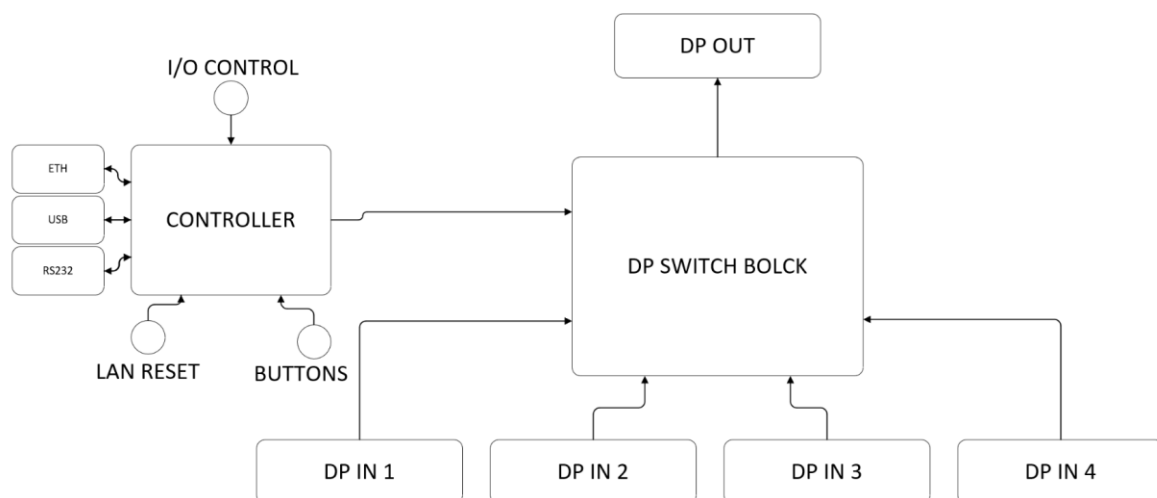
DE14300 is compatible with *IEC 60068-2-1 / IEC 60068-2-2 / IEC 60068-2-78 / IEC 60068-2-27 / IEC 60068-2-64 / EN 61326 (IEC 61326) / EN 55011 (CISPR 11) / AS/NZS CISPR 11 / FCC 47 CFR Part 15B / ICES-001* standards.

Areas of application include:

- ⇒ Video Switching
- ⇒ Component Video Testing

HARDWARE OVERVIEW

Circuitry



DE14300 Internal Structure

Hardware Specifications

Electrical

Specification	Min	Typical	Max
Input Voltage	6V	24V	36V
Reverse Voltage Protection	-	-	200V
Ethernet	-	-	100Mbps
RS232	-	-	250kbps
USB2.0	-	-	12Mbps
Discrete I/O VIH	1.8V	3.3V	3.6V
Discrete I/O VIL	-0.3V	0V	1.1V

Physical

Specification	Typical	Notes
Dimensions	214.6mm x 100mm x 43.25mm	-
Power Connector	PN: CUI / PJ-202BH	Mating Connector (recommended): CUI / PP3-002B.
RS232 & I/O Connector	PN: Assmann / A-DF 09 A/KG-T4S	Standard DSUB9 mating connector can be used.

Environmental

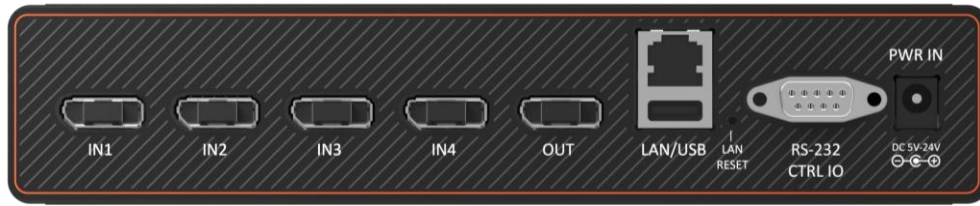
Specification	Condition	Value
Operating Humidity	Relative, non-condensing	10% - 90%
Storage Humidity	Relative, non-condensing	5% - 95%
Operating Temperature	Operational	0°C - 40°C
Storage Temperature	Non-operational	-40°C - 85°C

Front Side



DE14300 Front Side

Rear Side



DE14300 Rear Side

SIGNAL CONNECTIONS

Power Connector



Pin	Description
Center Pin	Positive
Outer Leads	Negative

RS232 & I/O Connector

Pin	Description
1	RS232 TX
2	RS232 RX
3	DISC CTRL 1
4	DISC CTRL 2
5	DISC CTRL 3
6	DISC CTRL 4
7	GND
8	GND
9	GND



Contact

DEICO Head Office

Teknopark Ankara, Serhat Mah.,
2224 Cad., No:1 F Blok, Z-12,
Yenimahalle, Ankara, Türkiye

support@deico.com.tr

+90 312 395 68 44



www.deico.com.tr

